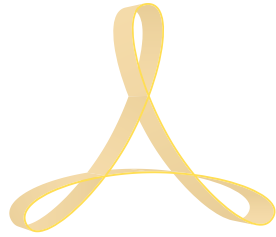


NORA/MICHELA



ARCOBALENO™

MULTI-FUNCTION MODEL AMF230/240

MIXER + SHEETER + CUTTER

Project: _____

Item #: _____

Qty: _____

CSI Section 11400: _____

Approval: _____

Date: _____

STANDARD FEATURES

- Great for restaurants, chefs, gourmet shoppes and food services
- Industrial grade machine
- Adjustable sheeting rollers
- Hand rolled dough sheet to desired thickness
- Standard cutters include 2mm spaghetti, 6mm tagliatelle, 8mm fettuccine & 15mm pappardelle
- Cost-effective and easy to operate
- Factory and on-location training—the only full-service pasta machine manufacturer in North America

OPTIONAL FEATURES & ACCESSORIES

- Pasta trays - solid and perforated
- APC-20 Mobile pasta cart with 20 trays
- Optional pasta cutters sizes:

1.5, 2, 2.5,	4, 5, 6,	6, 8, 10,	12, 15 & 18mm
SPAGHETTI	TAGLIATELLI	FETTUCCINE	PAPPARDELLE



RESTAURANT FAVORITE!

NORA
AMF230
Sheeter & Cutter



MICHELA
AMF240
Mixer, Sheeter & Cutter

■ WARRANTY

One Year: For more information visit arcobalenollc.com/warranty.html

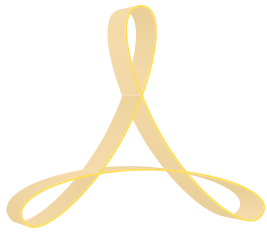


■ TRY BEFORE YOU BUY

In an effort to ensure success, we maintain a test kitchen where you can have your very own recipe tested for quality — at NO COST to you! Call for details.



Specifications subject to change without notice due to policy of continuous product improvement.



MULTI-FUNCTION MODEL AMF230/240

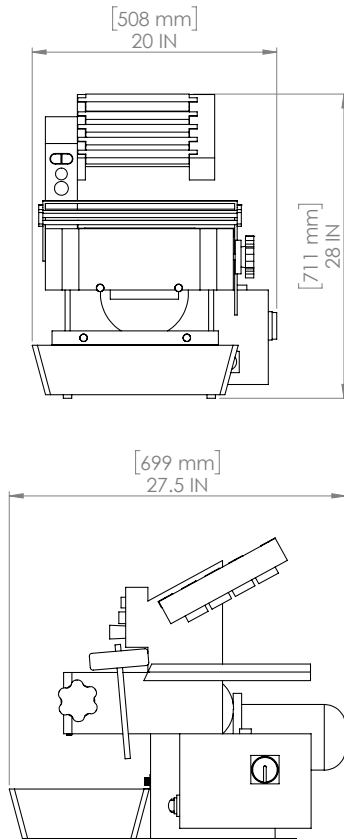
MIXER + SHEETER + CUTTER

ARCOBALENO™

TECHNICAL SPECIFICATIONS

Model	AMF230	AMF240
Dough Sheet Width	9"	9.50"
Mixer Volume	N/A	18 lbs/batch
Pasta Cutter	4 Cuts (2,6,8 15mm)	4 Cuts (2,6,8 15mm)
Electrical Power	220/1/60Hz 1HP 10 Amps	220/3/60Hz 1HP 3 Amps
Nema Plug	6-15P	L15-20
Machine Dimension	20"W x 27.50"D x 28"H	40"W x 32"D x 35"H
Shipping Dimension	23"W x 32"D x 30"H	42"W x 35"D x 40"H
Net Weight	190 lbs	264 lbs
Shipping Weight	235 lbs	275 lbs
Shipping Class	85	85

AMF230 Sheeter & Cutter



AMF240 Mixer, Sheeter & Cutter

