

DOUGH SHEETER | COUNTER TOP

ENZA



ARCOBALENO™
PASTA EQUIPMENT

ASC320
DOUGH SHEETING MADE EASY



STANDARD FEATURES

- Industrial grade, compact counter top Dough Sheeter
- The perfect kitchen tool for chef's restaurants, food service, hospitality, gourmet shops and supermarkets!
- Practical & easy to use versatile sheeter for pasta & bread dough's
- Rolls dough up to 12" in width
- Sheeting Roller Opening 0 - 3/8"
- Dough sheet thickness is adjustable simple hand adjustment for exact uniform dough thickness
- 4 different pasta cutter molds: 2mm (3/32"), 4mm (5/32"), 6mm (1/4") and 12mm (7/16") (optional)
- Quickens the process of handmade ravioli, cannelloni, lasagna and more!
- Micro Safety Guard Switch- when the guard is opened, the power supply to the machine disconnects
- Factory and on-location training—the only full-service pasta machine manufacturer in North America

OPTIONAL FEATURES & ACCESSORIES

- Pasta trays - solid and perforated
- APC-20 Mobile pasta cart with 20 trays
- Cutter molds sold separately

OPTIONAL PASTA CUTTER MOLDS

- 2mm | Spaghetti
- 4mm | Tagliatelle
- 6mm | Fettuccine
- 12mm | Pappardelle



DOUGH SHEETER
(shown with optional cutter mold)

OPTIONAL CUTTER MOLD

■ WARRANTY

One Year: For more information visit arcobalenollc.com/warranty.html

■ TRY BEFORE YOU BUY

In an effort to ensure success, we maintain a test kitchen where you can have your very own recipe tested for quality —at NO COST to you! Call for details.

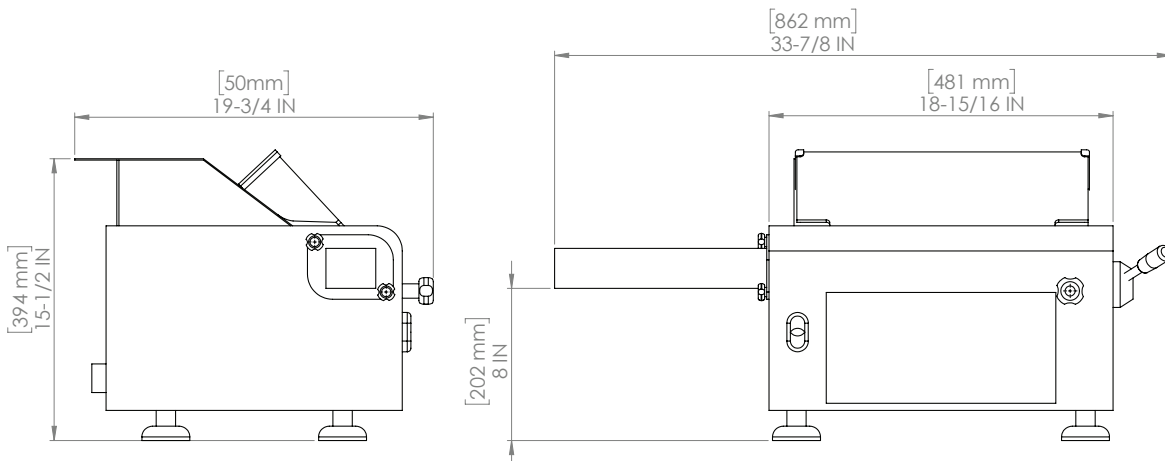
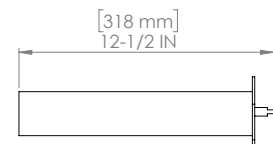
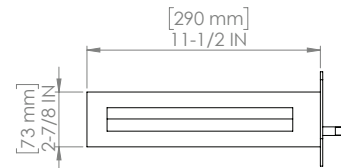
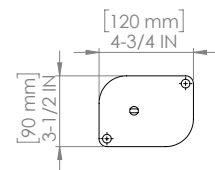
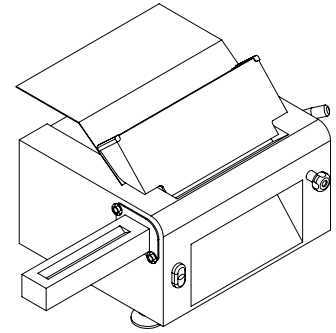


DOUGH SHEETER | COUNTER TOP



ASC320 TECHNICAL SPECIFICATIONS

Model	ASC320
Dough Sheet Width	12"
Pasta Cutter Mold Dough Width	8.5"
Sheeting Roller Opening	0 - 3/8"
Electrical Power	115/1/60Hz (6 Amps)
Nema Plug	5-15
Cord Length	6.5 ft
Machine Dimension	19"W x 19.75"D x 15.50"H
Shipping Dimension	30.50"W x 20.50"D x 23"H
Machine Weight	115 lbs
Pasta Cutter Mold Weight	8 lbs
Pasta Cutter Mold Dimension	12.50"W x 4.75"D x 3"H
Shipping Weight	145 lbs
Shipping Class	85



CAD file available. Please contact factory 717-394-1402. | Specifications subject to change without notice | © Copyright 2019 Arcobaleno™, LLC