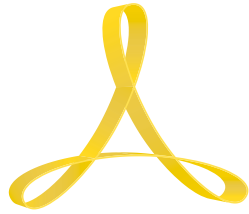


ISABELLA



ARCOBALENO™

MANUAL SLICER MODEL AV300/350/370

SLICE SLICE BABY

Project: _____

Item #: _____

Qty: _____

CSI Section 11400: _____

Approval: _____

Date: _____



STANDARD FEATURES

- Fly Wheel Slicer
- Flower fly wheel
- Marble Receiving Table
- Each model has a slice thickness of 0-1/8"
- Built in Sharpening + Deburring Stone
- Vice Gripping Claws To Secure Meat
- Protection Ring Around The Blade
- Easy To Disassemble + Clean "Tool-Less"
- Factory and on-location training—the only full-service pasta machine manufacturer in North America
- Standard colors



Red



Black

OPTIONAL FEATURES & ACCESSORIES

- Cast Iron Stand with Castors
- Choose a custom color



Tiffany Blue (shown)

Visit ralcolor.com



■ WARRANTY

One Year: For more information visit arcobalenollc.com/warranty.html

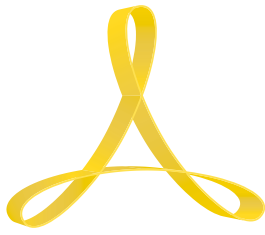


■ TRY BEFORE YOU BUY

In an effort to ensure success, we maintain a test kitchen where you can have your very own recipe tested for quality —at NO COST to you! Call for details.



Specifications subject to change without notice due to policy of continuous product improvement.



MANUAL SLICER AV300/350/370

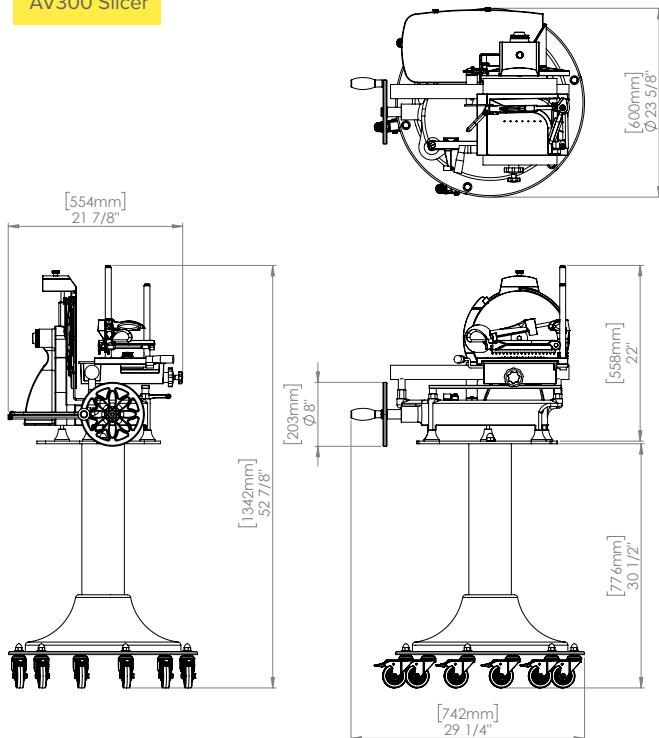
SLICE, SLICE BABY

ARCOBALENO™

TECHNICAL SPECIFICATIONS

Model	AV300	AV350	AV370
Blade Size	12"	13"	14.5"
Slicing Size	9"L x 7.50"H	12"L x 9.5"H	14.5"L x 10"H
Fly Wheel Slicer Dimension	27.50"W x 22"D x 22"H	34.25"W x 27.50"D x 25.75"H	35"W x 29"D x 27"H
Stand Dimension	23.75"W x 23.75"D x 31"H	25.75"W x 23.75"D x 30"H	25.75"W x 23.65"D x 30"H
Fly Wheel Slicer Shipping Dim.	30"W x 30"D x 33"H	38"W x 30"D x 30"H	40"W x 35"D x 30"H
Fly Wheel Slicer Weight	115 lbs	180 lbs	180 lbs
Stand Weight	135 lbs	135 lbs	135 lbs
Shipping Class	85	85	85

AV300 Slicer



AV350 Slicer

