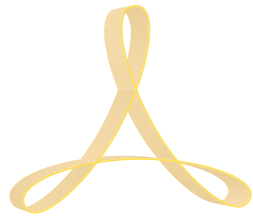


# BAIN-MARIE WARMER | DROP-IN MODEL ABMED24/24D

DROP-IN ELECTRIC BAIN-MARIE

MARIA



ARCOBALENO™

Project: \_\_\_\_\_

Item #: \_\_\_\_\_

Qty: \_\_\_\_\_

CSI Section 11400: \_\_\_\_\_

Approval: \_\_\_\_\_

Date: \_\_\_\_\_



## STANDARD FEATURES

- Perfect for warming foods, such as sauces, soups & more
- Stainless steel rounded corners, construction - sanitary finish
- 304 stainless steel cooking tank
- 85°F - 195°F Thermostatic control
- Supplied with water fill tap, overflow safety valve and drain valve
- Factory and on-location training—the only full-service pasta machine manufacturer in North America

## OPTIONAL FEATURES & ACCESSORIES

- Variety of Banjo Maria containers
  - #1 Container - 20.8" x 12.8"
  - #2 Container - 14" x 12.8"
  - #3 Container - 12.8" x 10.4"
  - #4 Container - 12.8" x 7"
  - #5 Container - 10.4" x 6.4"
  - #6 Container - 7" x 6.4"

- Banjo Maria Stainless Steel Lid



- Banjo Maria Stainless Steel Lid with Cutout



ABMED24

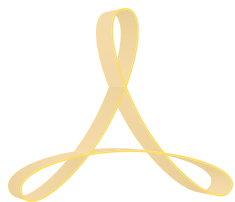
ABMED24D

**Banjo Maria Container Options**

**Banjo Maria Container Combinations**

1	4	6	6	3	5	5	4	5	5	6	6
2	2	3	3	3	4	4	4	5	5	6	6

Specifications subject to change without notice due to policy of continuous product improvement.



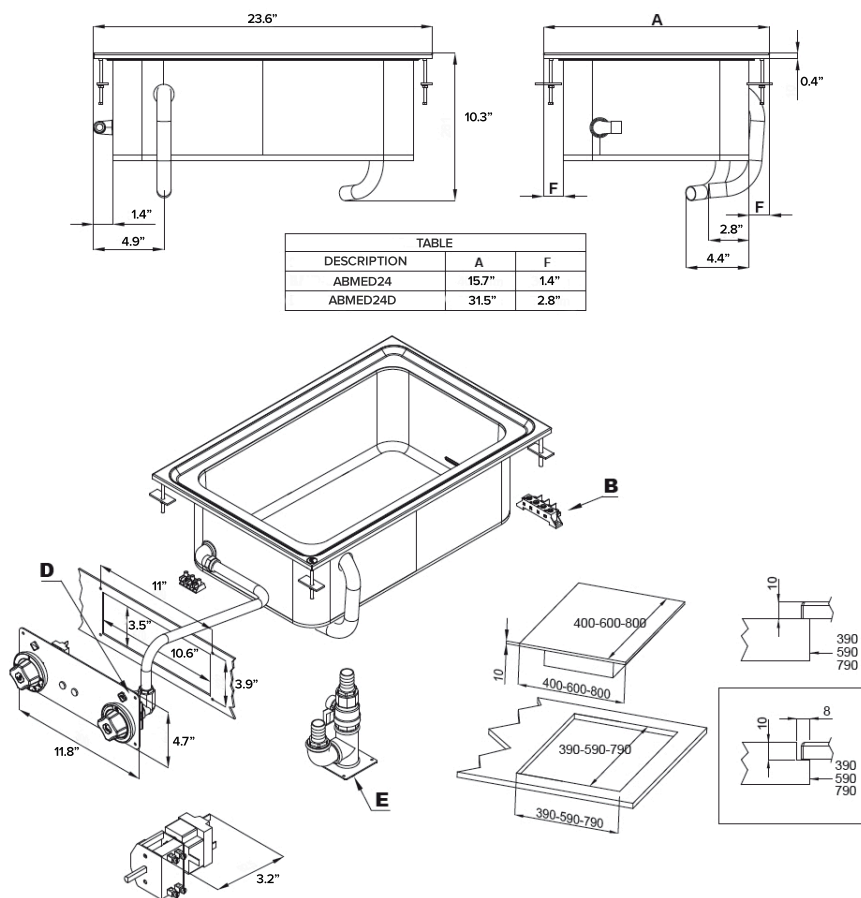
# BAIN-MARIE WARMER | DROP-IN MODEL ABMED24/24D

DROP-IN ELECTRIC BAIN-MARIE

ARCOBALENO™

## TECHNICAL SPECIFICATIONS

<b>Model</b>	ABMED24	ABMED24D
<b>Tank</b>	1	1
<b>Tank Volume</b>	7.5 gallons	15 gallons
<b>Power (Electric Only)</b>	230V/1/60Hz, 2.1 kW (9.2 Amps)	230V/3/60Hz, 4.2 kW (10.5 Amps)
<b>Water Connection</b>	FNPT 1/2"	FNPT 1/2"
<b>Water Drainage</b>	FNPT 1"	FNPT 1"
<b>Machine Dimension</b>	15.75"W x 23.75"D x 12"H	31.50"W x 23.75"D x 12"H
<b>Tank Dimension</b>	13"W x 21"D x 7"H	25"W x 21"D x 7"H
<b>Net Weight</b>	40 lbs	89 lbs
<b>Shipping Weight</b>	60 lbs	100 lbs
<b>Shipping Class</b>	85	85



### ■ WARRANTY

One Year:

For more information visit [arcobalenollc.com/warranty](http://arcobalenollc.com/warranty)



### ■ TRY BEFORE YOU BUY

In an effort to ensure success, we maintain a test kitchen where you can have your very own recipe tested for quality — at NO COST to you! Call for details.

