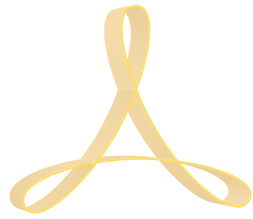


BAIN-MARIE WARMER | DROP-IN MODEL ABMED32/32D

DROP-IN ELECTRIC BAIN-MARIE

MARIE



ARCOBALENO™

Project: _____
 Item #: _____
 Qty: _____
 CSI Section 11400: _____
 Approval: _____
 Date: _____



STANDARD FEATURES

- Perfect for warming foods, such as sauces, soups & more
- Stainless steel rounded corners, construction - sanitary finish
- 304 stainless steel cooking tank
- 85°F - 195°F Thermostatic control
- Supplied with water fill tap, overflow safety valve and drain valve
- Factory and on-location training—the only full-service pasta machine manufacturer in North America

OPTIONAL FEATURES & ACCESSORIES

- Variety of Banjo Maria containers
 - #1 Container - 20.8" x 12.8"
 - #2 Container - 14" x 12.8"
 - #3 Container - 12.8" x 10.4"
 - #4 Container - 12.8" x 7"
 - #5 Container - 10.4" x 6.4"
 - #6 Container - 7" x 6.4"
 - #7 Container - 7" x 4.25"

- Banjo Maria Stainless Steel Lid



- Banjo Maria Stainless Steel Lid with Cutout



ABMED32

ABMED32D

Banjo Maria Container Options

ABMED32 Container Combinations

4	4	2	4	4	4	6	6	6	6
1	4		3	5	4	5	5	6	6
	2	2	3	3	4	5	5	6	6

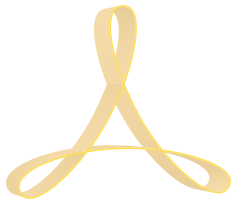
ABMED32D Container Combinations

5	5	6
---	---	---

6	6	6	6	7
---	---	---	---	---

7	7	7	7	7	7
---	---	---	---	---	---

Specifications subject to change without notice due to policy of continuous product improvement.



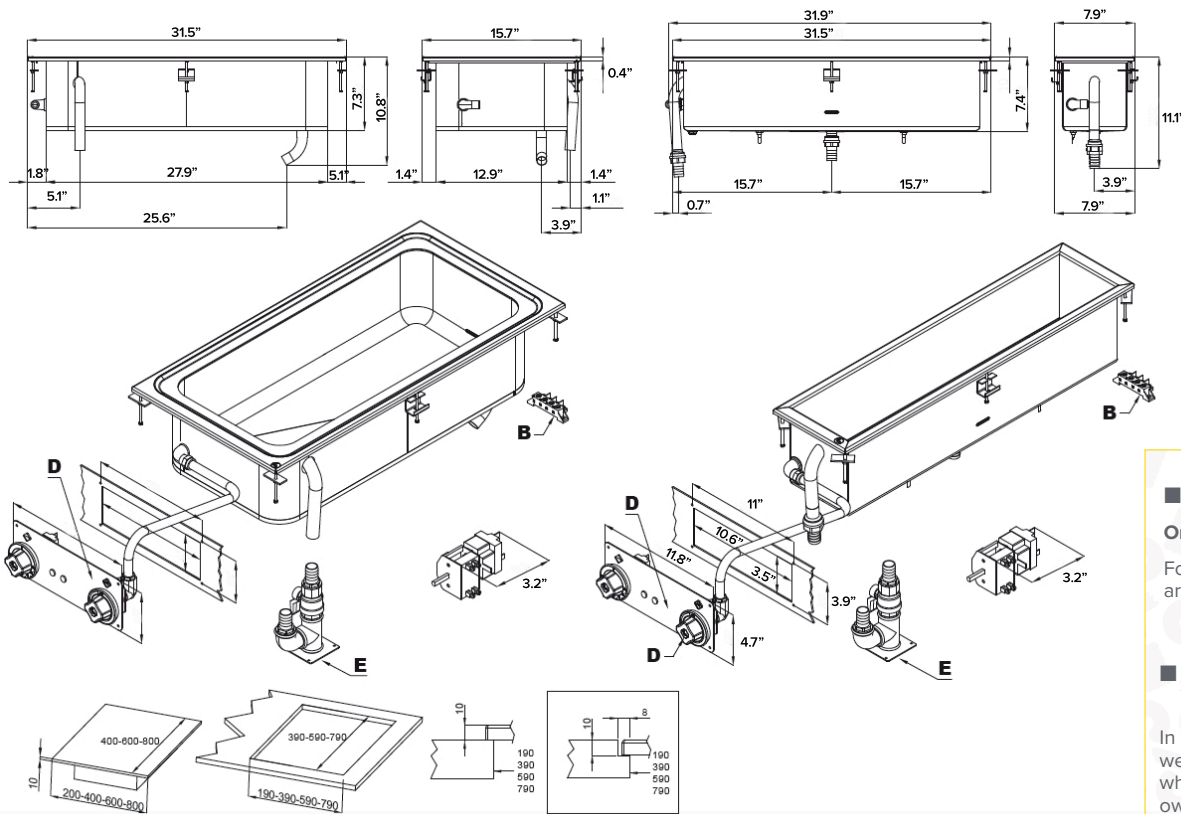
BAIN-MARIE WARMER | DROP-IN MODEL ABMED32/32D

DROP-IN ELECTRIC BAIN-MARIE

ARCOBALENO™

TECHNICAL SPECIFICATIONS

Model	ABMED32	ABMED32D
Tank	1	1
Tank Volume	4 gallons	10 gallons
Power (Electric Only)	230V/1/60Hz, 1.65 kW (7.2 Amps)	230V/1/60Hz, 2.85 kW (12.4 Amps)
Water Connection	FNPT 1/2"	FNPT 1/2"
Water Drainage	FNPT 1"	FNPT 1"
Machine Dimension	8"W x 31.50"D x 12"H	15.75"W x 31.50"D x 12"H
Tank Dimension	5"W x 28"D x 7"H	13"W x 28"D x 7"H
Net Weight	35.50 lbs	46.50 lbs
Shipping Weight	55 lbs	65 lbs
Shipping Class	85	85



■ WARRANTY

One Year:

For more information visit arcobalenollc.com/warranty



■ TRY BEFORE YOU BUY

In an effort to ensure success, we maintain a test kitchen where you can have your very own recipe tested for quality — at NO COST to you! Call for details.

