

AUTOMATIC MULTI-FUNCTION

GINA



ARCOBALENO®
PASTA MACHINES

AMF160

INSTANT GRATIFICATION — 4-IN-ONE



STANDARD FEATURES

- Automatic 4-in-1 mixer, sheeter, pasta cutter and ravioli machine
- Heavy duty stainless steel construction
- Heavy duty mixer with removable mixing shaft for easy cleaning
- Automatically sheets dough onto rolling pin
- Variety of filling consistencies: meat, cheese, vegetables, seafood and more!
- Over 50 ravioli shapes to choose from!
- Dough thickness and filling amount for ravioli can be regulated while machine is in use
- Interchangeable filling cups - 3 qt volume
- Automatic pasta cutter with interchangeable cutter molds
- Machine on casters for easy positioning
- Outboard bearings for extended machine life
- Factory and on-location training. The Only Full-Service Pasta Machine Manufacturer in North America!

OPTIONAL FEATURES & ACCESSORIES

- Pasta trays - Perforated - Dim: 15.5"W x 23.5"D x 2.75"H
- Pasta trays - Solid - Dim: 15.5"W x 23.5"D x 2.75"H
- APC20 Mobile pasta cart with 20 trays
- Filling Cups - 3 qt volume
- Dough Rolling Pins
- Flour Duster
- Variable Speed
- Ravioli Molds (over 50 shapes to choose from)
- Lasagna Cutter - 6.3 inches
- Pasta Cutters (in mm):

1.25, 1.5, 2, 2.5, 3, 4, 5, 6, 6, 8, 10, 12, 16, 18, 20, 23

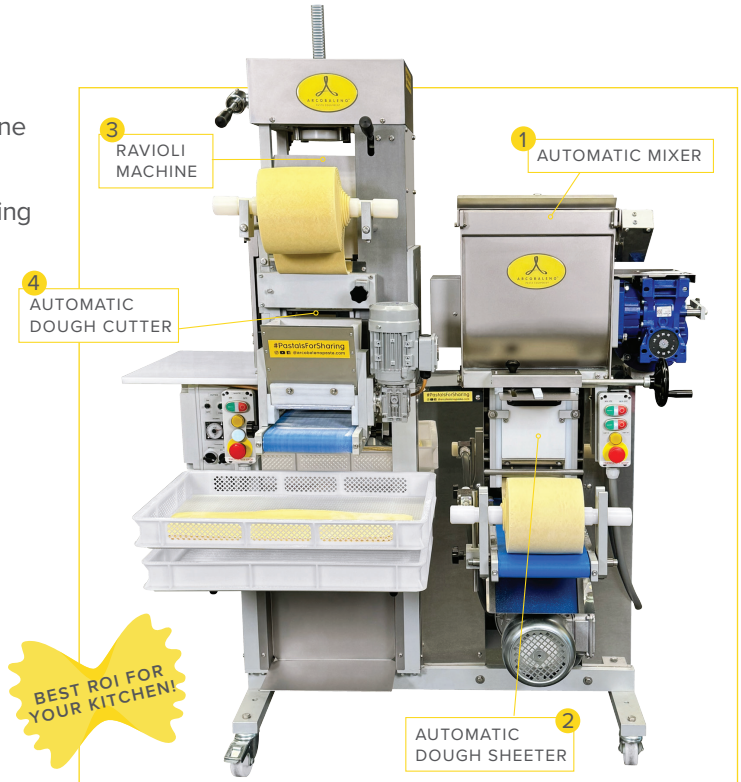
SPAGHETTI / CHITARRA TAGLIATELLE FETTUCCINE PAPPARDELLE



PASTA CUTTERS & LASAGNA CUTTER



RAVIOLI MOLDS



Machine shown with optional flour duster

OUR FOUR-IN-ONE FLAGSHIP MODEL CAN'T BE BEAT!



■ WARRANTY

One Year: For more information visit arcobalenollc.com/warranty.html



■ TRY BEFORE YOU BUY

In an effort to ensure success, we maintain a test kitchen where you can have your very own recipe tested for quality! Call for details.

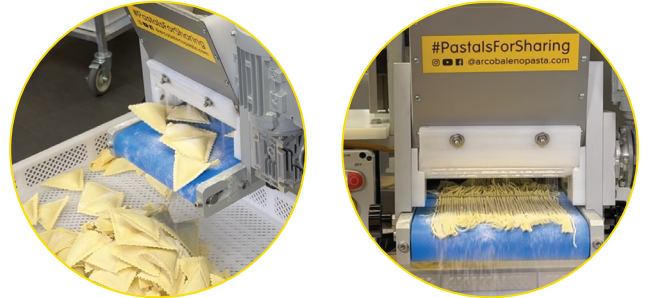


AUTOMATIC MULTI-FUNCTION

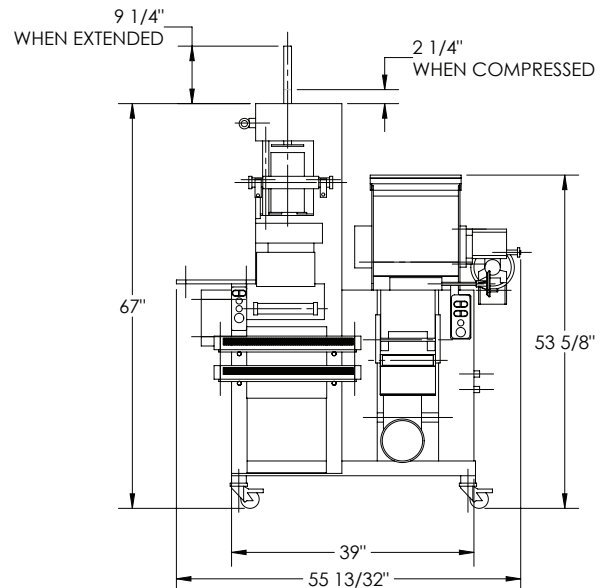
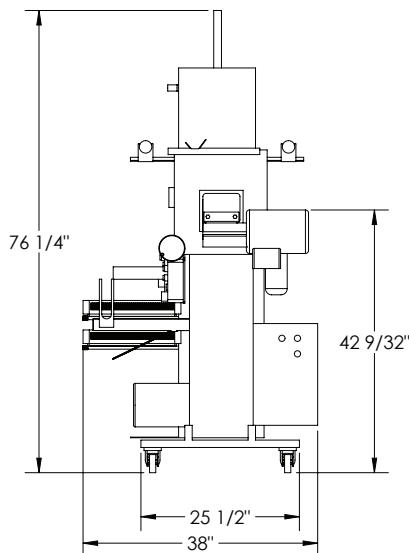
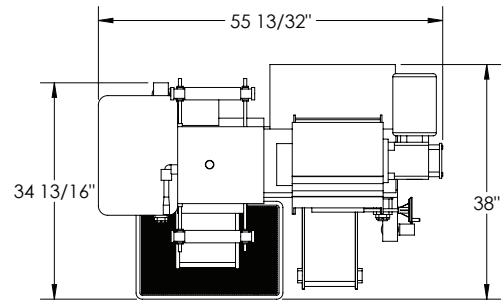


AMF160 TECHNICAL SPECIFICATIONS

Model	AMF160
Dough Sheet Width	6.25"
Mixer Capacity (flour)	40 lbs
Mixer Production (flour + liquid)	55 lbs/batch
Filling Cup Volume	3 qt
Ravioli Production	Up to 150-180 lbs/hr
Pasta Cutter Production	Up to 65-80 lbs/hr
Electrical Power	220V/3/60Hz 20 Amps
Nema Plug	L15-20P
Cord Length	8 ft
Machine Dimension	56"W x 33"D x 74"H
Shipping Dimension	58"W x 42"D x 75"H
Net Weight	915 lbs
Shipping Weight	1060 lbs
Shipping Class	85



Optional Flour Duster

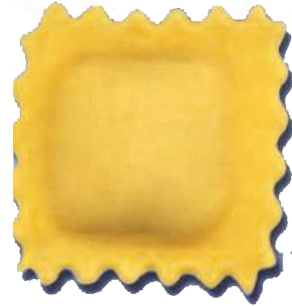




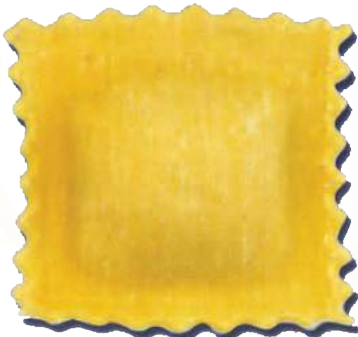
0



1



2



3



10



11



SHAPE SPECIFICATIONS

NUMBER	0	1	2	3	10	11
SHAPE	Square	Square	Square	Square	Square	Rectangle
SIZE	7/8"	1 1/8"	1 3/8"	1 7/8"	2"	2 5/8" x 2"
EDGE	Scalloped	Scalloped	Scalloped	Scalloped	Scalloped	Scalloped
POCKETS PER WIDTH	7	5	4	3	3	3
POCKETS PER CIR.	9	7	5	4	4	3
PIECES/MIN	1260	700	400	240	240	180
WEIGHT (GRAMS)	1.7	3.5	7.0	12.0	15.0	20.0
WEIGHT (OUNCES)	0.06	0.12	0.25	0.42	0.53	0.71



4



8



13



15



32



64



SHAPE SPECIFICATIONS

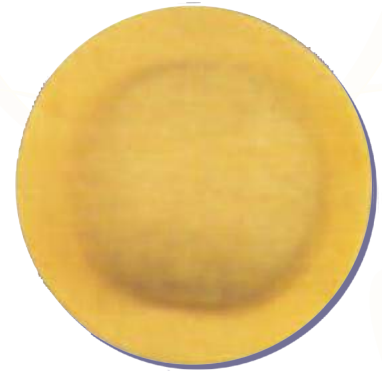
NUMBER	4	8	13	15	32	64
SHAPE	Oval	Oval	Round	Round	Round	Round
SIZE	2 5/8" x 2 1/4"	1 5/8" x 1 1/2"	2 1/4"	2 7/8"	1 1/2"	1 3/16"
EDGE	Scalloped	Scalloped	Scalloped	Scalloped	Scalloped	Scalloped
POCKETS PER WIDTH	2	3	2	2	3	4
POCKETS PER CIR.	3	4	3	2	4	5
PIECES/MIN	120	240	120	60	240	400
WEIGHT (GRAMS)	22.0	7.0	17.0	32.0	8.0	2.0
WEIGHT (OUNCES)	0.78	0.25	0.60	1.13	0.28	0.07



14



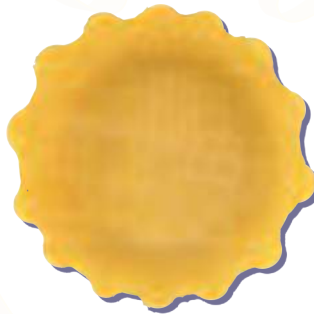
16



17



42



57



59



61



RAVIOLI SHAPES, ON SHAPES, ON SHAPES

Our ravioli machines come with over 50 standard ravioli shapes, but we don't stop there. Our in-house machine shop can make your custom shape!



SHAPE SPECIFICATIONS

NUMBER	14	16	17	42	57	59	61
SHAPE	Round	Round	Round	Oval	Round	Round	Round
SIZE	1 5/8"	2 1/8"	2 1/8"	3 5/8" x 3"	1 1/16"	3 3/8"	2 5/8"
EDGE	Smooth	Scalloped	Smooth	Scalloped	Scalloped	Scalloped	Smooth
POCKETS PER WIDTH	3	2	2	1	4	1	1
POCKETS PER CIR.	4	3	3	2	5	1	3
PIECES/MIN	240	120	120	40	400	20	60
WEIGHT (GRAMS)	7.0	17.0	17.0	45.0	4.0	50.0	35.0
WEIGHT (OUNCES)	0.25	0.60	0.60	1.59	0.14	1.76	1.23



6



9

TRY BEFORE YOU BUY!

In an effort to ensure success, we maintain a test kitchen where you can have your very own recipe tested for quality — at NO COST to you!



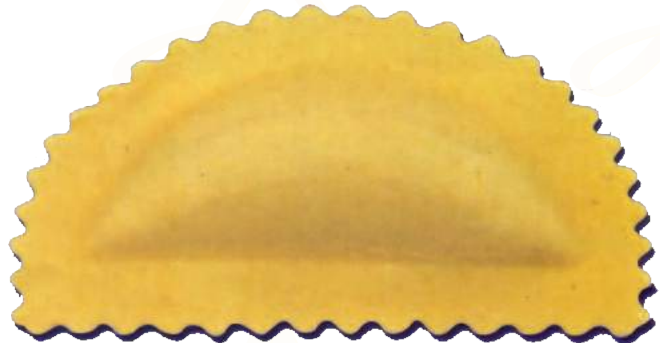
28



29



30



31

SHAPE SPECIFICATIONS



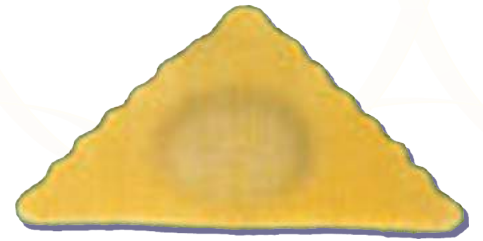
NUMBER	6	9	28	29	30	31
SHAPE	Half Moon	Half Moon	Half Moon	Half Moon	Half Moon	Half Moon
SIZE	2 5/8" x 1 3/8"	1 3/4" x 1 1/2"	3 7/8" x 1 1/2"	3 1/4" x 2 1/4"	2 1/2" x 2"	4" x 2"
EDGE	Scalloped	Scalloped	Scalloped	Scalloped	Scalloped	Scalloped
POCKETS PER WIDTH	2	3	1	1	2	1
POCKETS PER CIR.	4	4	4	3	3	3
PIECES/MIN	160	240	80	60	120	60
WEIGHT (GRAMS)	13.0	7.0	16.0	25.0	20.0	27.0
WEIGHT (OUNCES)	0.46	0.25	0.56	0.88	0.71	0.95



5



46



53



63



21



38



62



DID YOU KNOW?

Arcobaleno offers on-location training — contact us for more information.



SHAPE SPECIFICATIONS

NUMBER	5	46	53	63	21	38	62
SHAPE	Triangle	Triangle	Triangle	Triangle	Hexagon	Hexagon	Diamond
SIZE	2 1/4" x 2 5/8"	3 1/4" x 3"	2" x 1"	1 1/2" x 1 1/2"	1 1/2"	1 7/8"	2 5/16" x 1 1/2"
EDGE	Scalloped	Scalloped	Scalloped	Scalloped	Smooth	Smooth	Scalloped
POCKETS PER WIDTH	2	2	3	3	3	2	2
POCKETS PER CIR.	6	4	5	6	4	3	4
PIECES/MIN	240	160	450	360	240	120	160
WEIGHT (GRAMS)	13.0	18.0	2.0	4.0	6.0	17.0	6.0
WEIGHT (OUNCES)	0.46	0.63	0.07	0.14	0.21	0.60	0.21



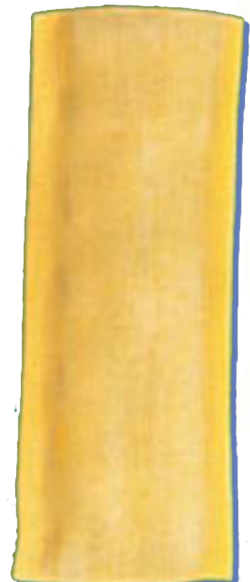
12



7



36



66



45



51



65

SHAPE SPECIFICATIONS

NUMBER	12	7	36	66	45	51	65
SHAPE	Square	Rectangle	Rectangle	Rectangle	Rectangle	Rectangle	Rectangle
SIZE	2 1/2"	1 1/4" x 3 3/4"	1 9/32" x 2 7/16"	1 9/32" x 3 3/8"	9/8" x 1"	3 9/16" x 3 1/8"	3 3/8" x 2 9/16"
EDGE	Scalloped	Scalloped	Scalloped	Smooth	Scalloped	Scalloped	Scalloped
POCKETS PER WIDTH	2	4	6	3	6	1	2
POCKETS PER CIR.	3	2	3	2		2	2
PIECES/MIN	120	160	360	120	960	40	80
WEIGHT (GRAMS)	28.0	17.0	11.0	23.0	2.0	6.5	5.5
WEIGHT (OUNCES)	0.99	0.60	0.39	0.81	0.07	0.23	0.19

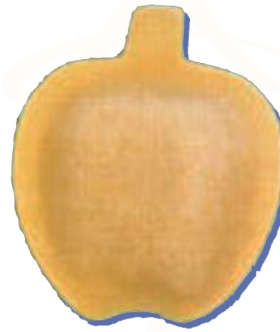




18



20



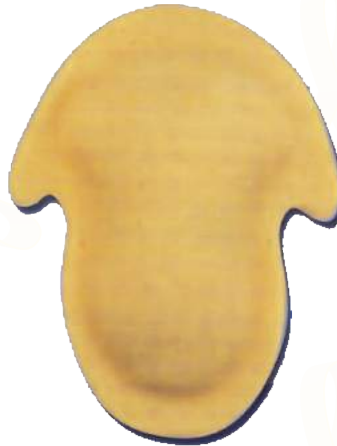
33



22



19



23



25

SHAPE SPECIFICATIONS

NUMBER	18	20	33	22	19	23	25
SHAPE	Heart	Fish	Apple	Bell	Heart	Mushroom	Sack
SIZE	1 7/8" x 1 5/8"	2" x 1 3/4"	1 7/8" x 2 9/32"	1 7/8" x 2"	3 1/4" x 3"	2" x 2 1/2"	2 1/2" x 2 1/8"
EDGE	Smooth	Smooth	Smooth	Smooth	Smooth	Smooth	Smooth
POCKETS PER WIDTH	3	3	2	3	1	2	2
POCKETS PER CIR.	4	3	3	3	3	3	3
PIECES/MIN	240	180	120	180	60	120	120
WEIGHT (GRAMS)	8.0	9.0	8.0	7.0	30.0	18.0	12.0
WEIGHT (OUNCES)	0.28	0.32	0.28	0.25	1.06	0.63	0.42





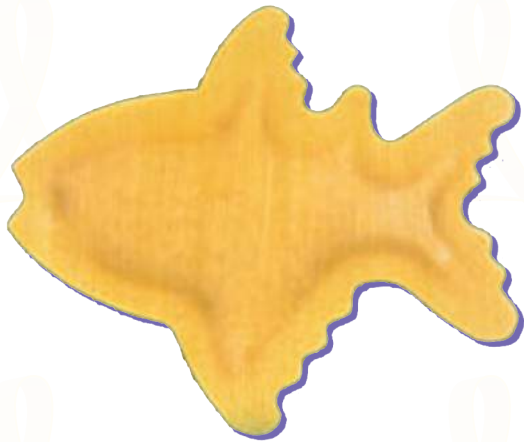
24



26



27



43



52

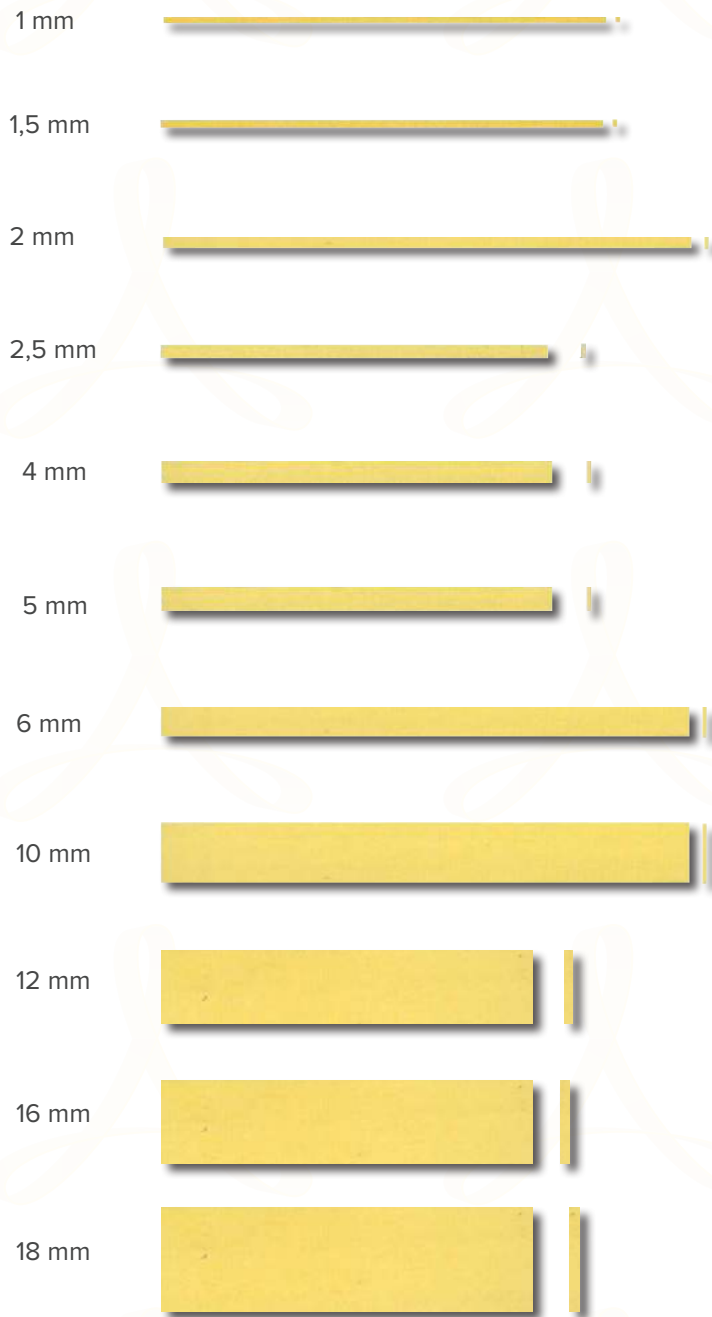


60



SHAPE SPECIFICATIONS

NUMBER	24	26	27	43	52	60
SHAPE	Bell	Xmas Tree	Star	Fish	Lobster	Shell
SIZE	1 7/8" x 2 3/8"	1 7/8" x 2 1/4"	2 3/8" x 2 1/8"	3 5/8" x 3 1/8"	3 7/8" x 2 1/8"	2 1/4" x 1 7/8"
EDGE	Smooth	Smooth	Smooth	Smooth	Scalloped	Scalloped
POCKETS PER WIDTH	3	3	2	1	1	2
POCKETS PER CIR.	3	3	3	2	3	3
PIECES/MIN	180	180	120	40	60	120
WEIGHT (GRAMS)	11.0	8.0	12.0	25.0	25.0	12.0
WEIGHT (OUNCES)	0.39	0.28	0.42	0.88	0.88	0.42



DOUGH CUTTER MOLD OPTIONS

Models AMF160, AMF280, ARS160, ARS250, and ARSC250 also have the capability of cutting pasta's at different widths.

These models can cut pasta at 1, 1.5, 2, 2.5, 4, 5.5, 6, 10, 12, 15 and 18mm wide.



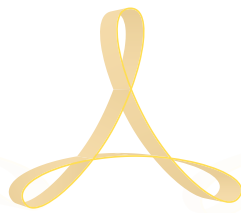


ARCOBALENO LANCASTER HEADQUARTERS
WE LOVE VISITORS!



ARCOBALENO'S ON-LOCATION TEST KITCHEN
COME MAKE PASTA WITH US!

THE ONLY FULL-SERVICE PASTA MACHINE MANUFACTURER IN NORTH AMERICA!



ARCOBALENO™
PASTA EQUIPMENT

160 GREENFIELD ROAD | LANCASTER, PA 17601
ARCOBALENOLLC.COM | 717.394.1402

    @ARCOBALENOLLC